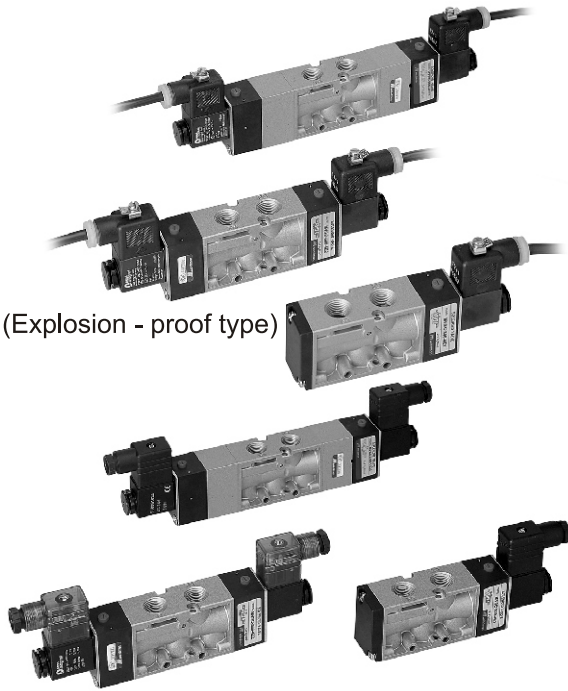


MVSC-300 series

SOLENOID VALVE



(Explosion - proof type)

Specification:

Model	MVSC-300-3E1,E2	MVSC-300-4E1,E2	MVSC-300-4E2C.P.R		
Bore No.	10A				
Port size	PT 3/8				
No. of port	3	5			
No. of position	2	2	3		
Medium	Air				
Operating pressure range	2~7 kgf/cm ²		3~7 kgf/cm ²		
Proof pressure	10 kgf/cm ²				
Effective orifice	35 mm ²		25 mm ²		
Ambient temperature	-5~+50℃ (No freezing)				
Response time	50 ms				
Voltage	AC110V, 220V (50/60)Hz, DC24V				
Power consumption	AC=6/4.9VA DC=2.5W				
Available voltage range	±10%				
Insulation class	F class				
Weight	350 g	439 g	293 g	387 g	565 g

Order example of valve:

MVSC - 300 - 4E2C - NC - AC110 - L - BSP

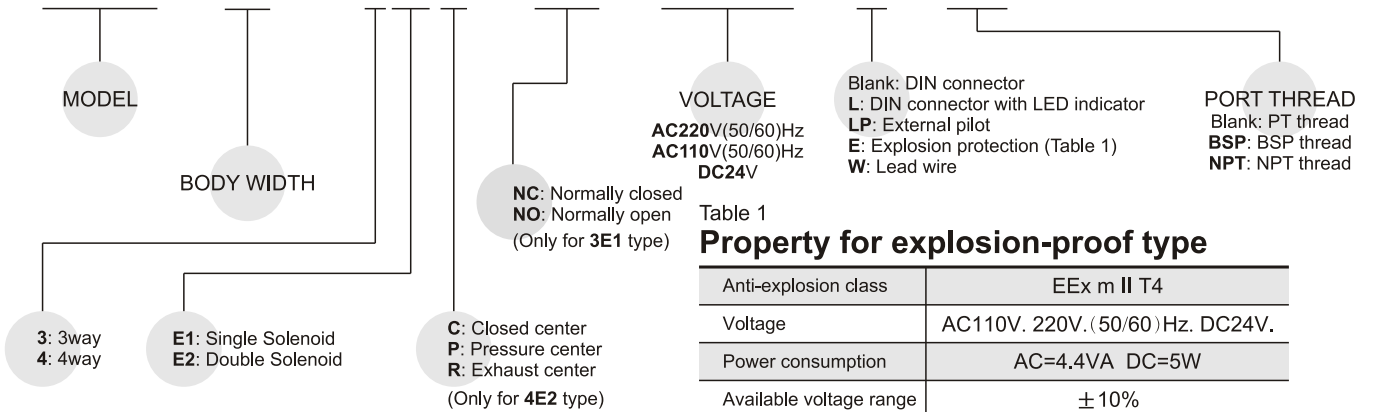


Table 1

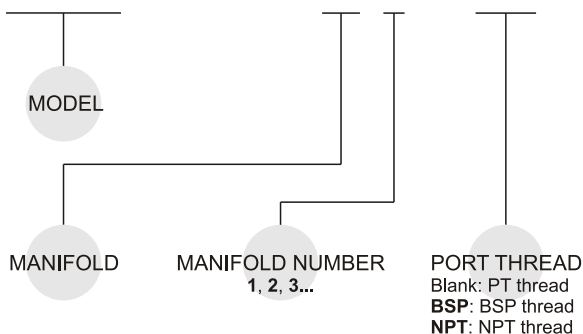
Property for explosion-proof type

Anti-explosion class	EEx m II T4
Voltage	AC110V, 220V, (50/60)Hz, DC24V.
Power consumption	AC=4.4VA DC=5W
Available voltage range	±10%
Insulation class	F class

Order example of manifold:

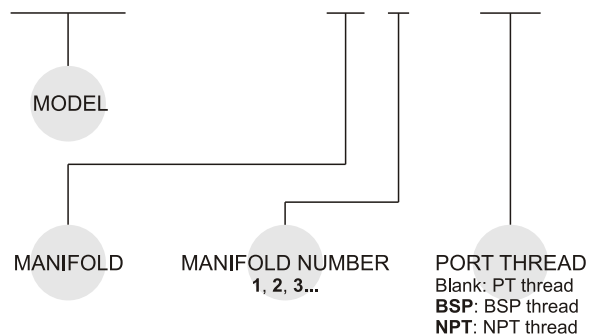
3 way

MVSC - 300 - 3B3 - BSP



4 way

MVSA - 300 - 5B3 - BSP



※ Use the same manifold with MVSA.

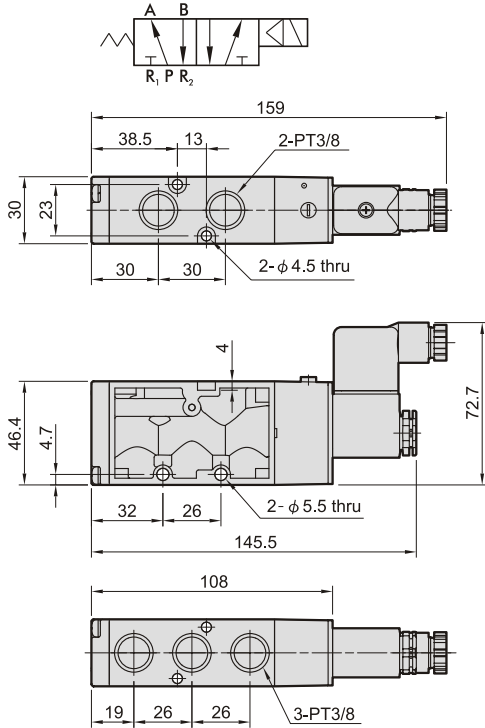
MVSC-300

SOLENOID VALVE

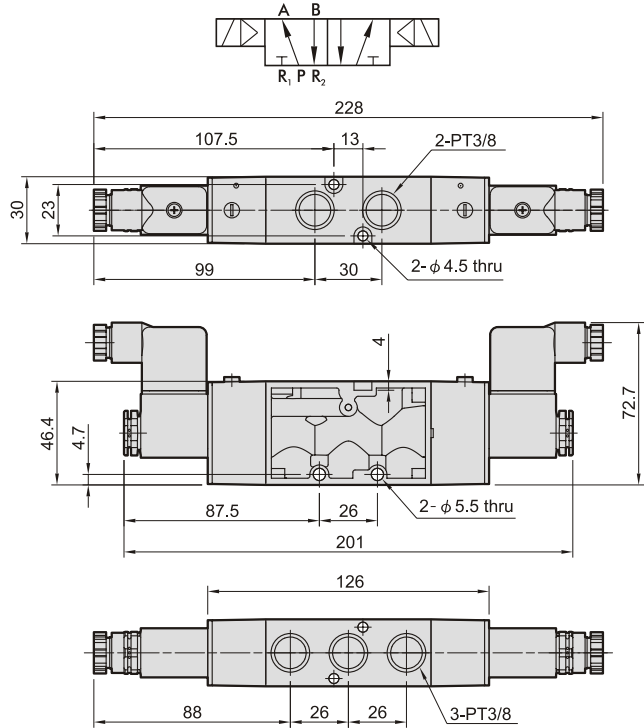


Dimensions:

MVSC-300-4E1

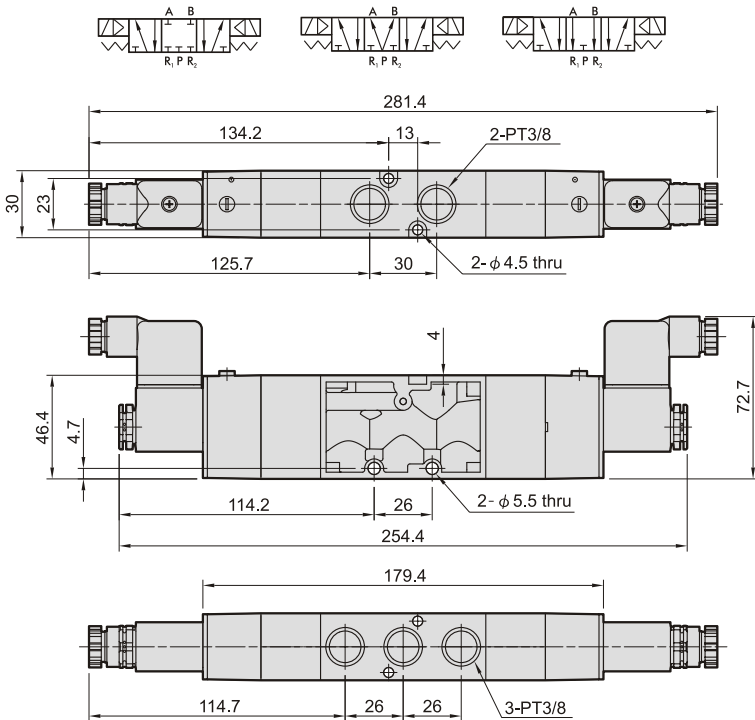


MVSC-300-4E2

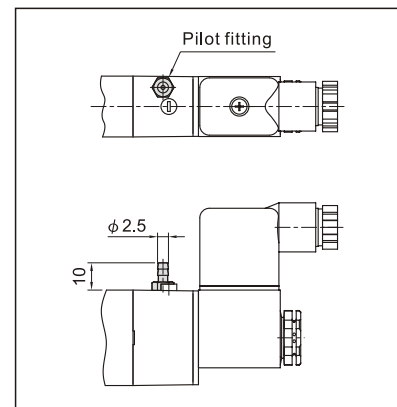


MVSC-300-4E2C.P.R

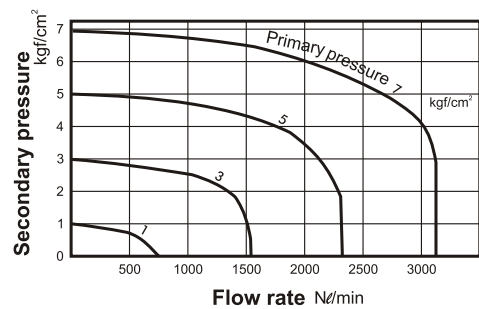
MVSC-300-4E2C MVSC-300-4E2P MVSC-300-4E2R



LP



Flow features:



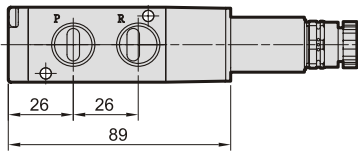
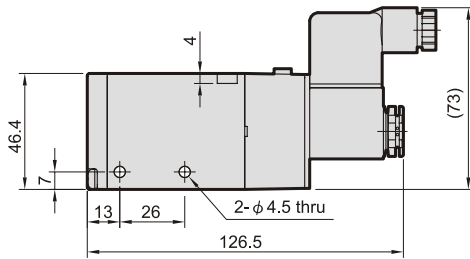
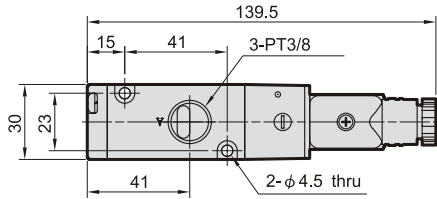
MVSC-300

SOLENOID VALVE

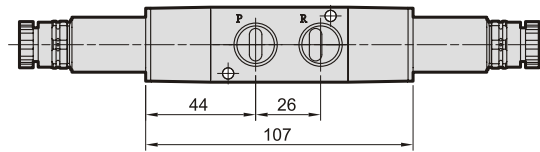
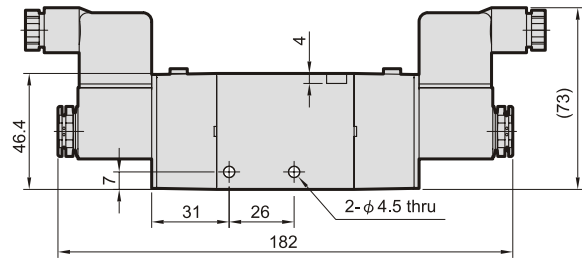
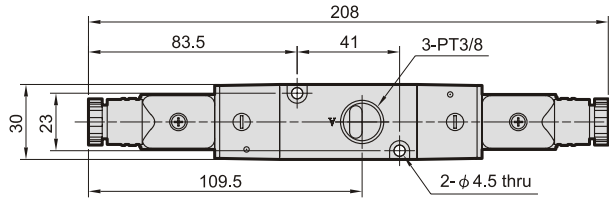


Dimensions:

MVSC-300-3E1-NC/NO

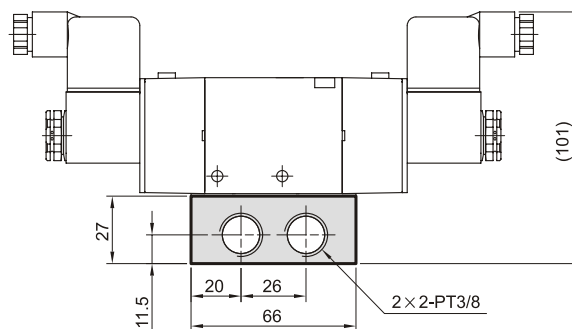
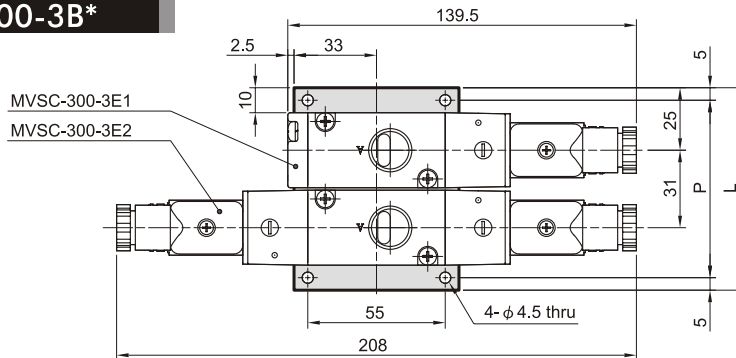


MVSC-300-3E2



Manifold of solenoid valve:

MVSC-300-3B*



No. of stations	P	L
2	71	81
3	102	112
4	133	143
5	164	174
6	195	205
7	226	236
8	257	267
9	288	298
10	319	329

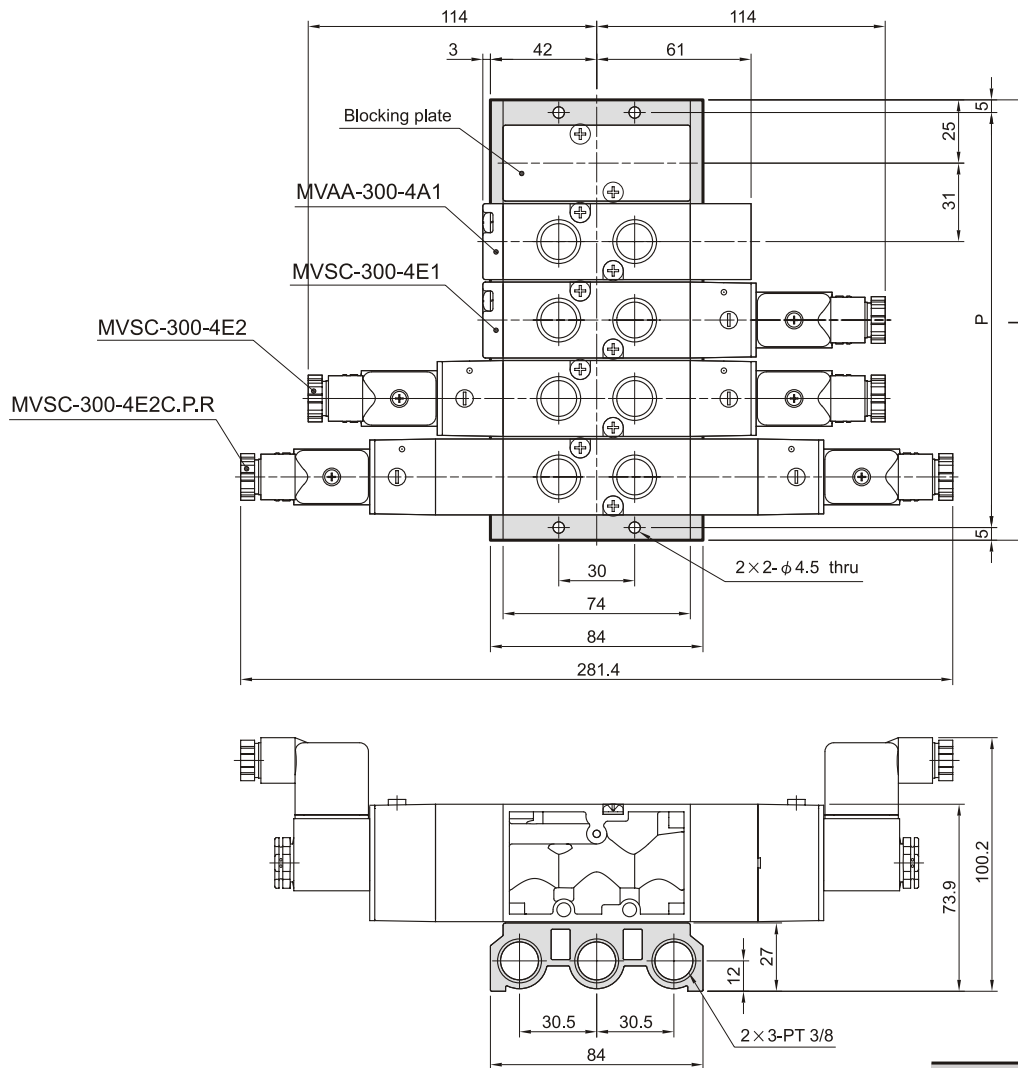
MVSC-300

SOLENOID VALVE



Manifold of solenoid valve:

MVSC-300-5B*



No. of stations	P	L
2	71	81
3	102	112
4	133	143
5	164	174
6	195	205
7	226	236
8	257	267
9	288	298
10	319	329