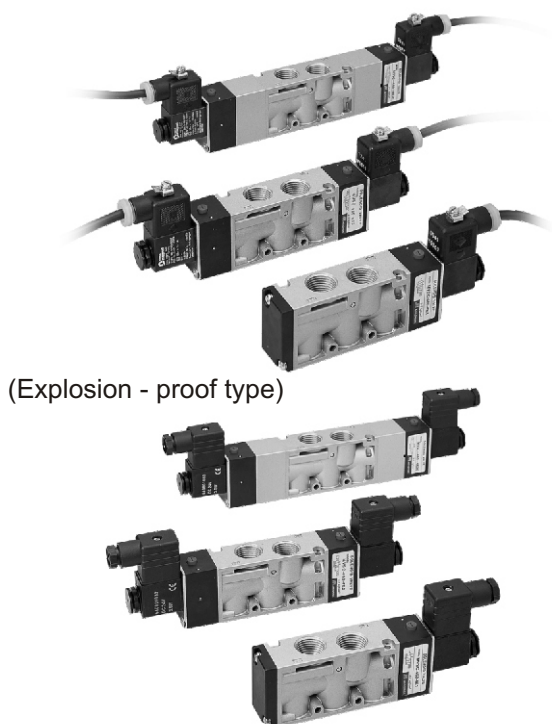


# MVSC-460 series

## SOLENOID VALVE

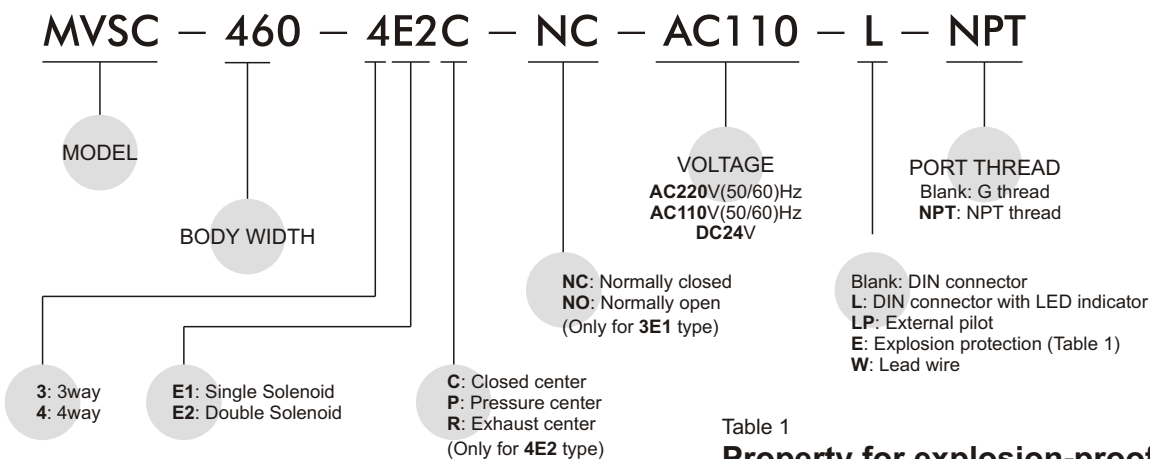


(Explosion - proof type)

### Specification:

Model	MVSC-460-3E1,3E2	MVSC-460-4E1,E2	MVSC-460-4E2C.P.R
Bore No.	15A		
Port size	G 1/2		
No. of port	3	5	
No. of position	2	2	3
Medium	Air		
Operating pressure range	2~7 kgf/cm <sup>2</sup>		3~7 kgf/cm <sup>2</sup>
Proof pressure	10.5 kgf/cm <sup>2</sup>		
Effective orifice	50 mm <sup>2</sup>		30 mm <sup>2</sup>
Response time	50 ms		
Ambient temperature	- 5~ + 50°C (No freezing)		
Voltage	AC110V, 220V (50/60)Hz, DC24V		
Power consumption	AC=6/4.9VA DC=2.5W		
Available voltage range	± 10%		
Insulation class	F class		
Weight	353 g	437 g	330 g 452 g 634 g

### Order example of valve:



### Order example of manifold:

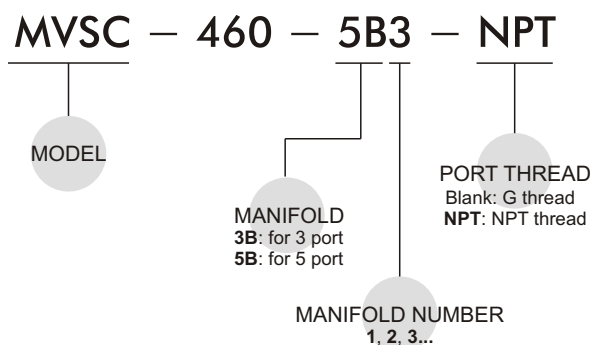


Table 1

### Property for explosion-proof type

Anti-explosion class	EEx m II T4
Voltage	AC110V, 220V, (50/60)Hz, DC24V.
Power consumption	AC=4.4VA DC=5W
Available voltage range	± 10%
Insulation class	F class

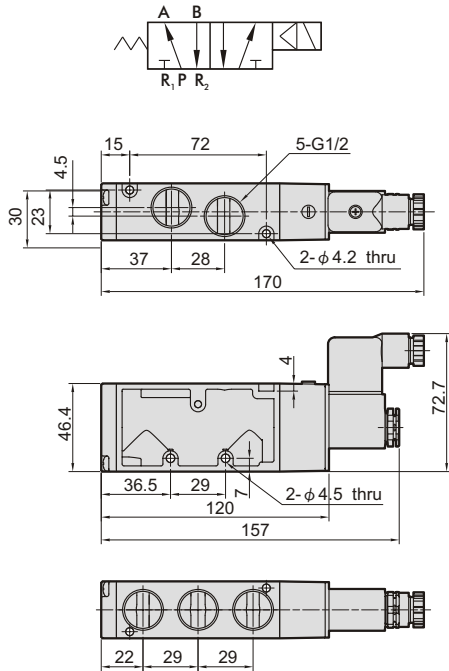
# MVSC-460

## SOLENOID VALVE

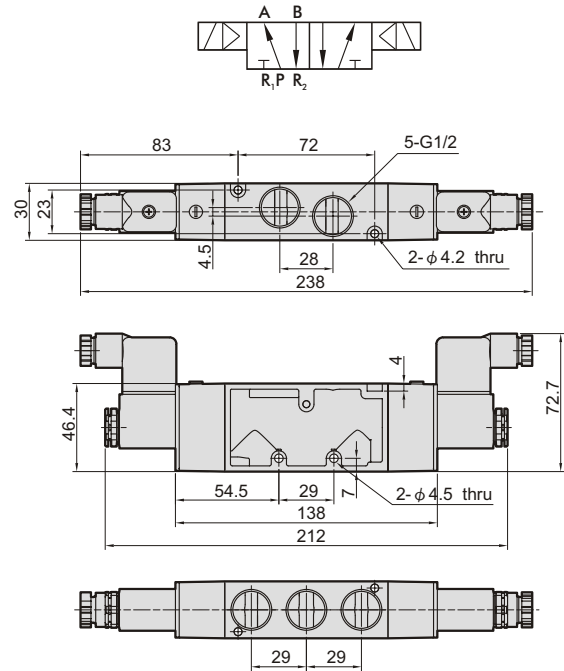


### Dimensions:

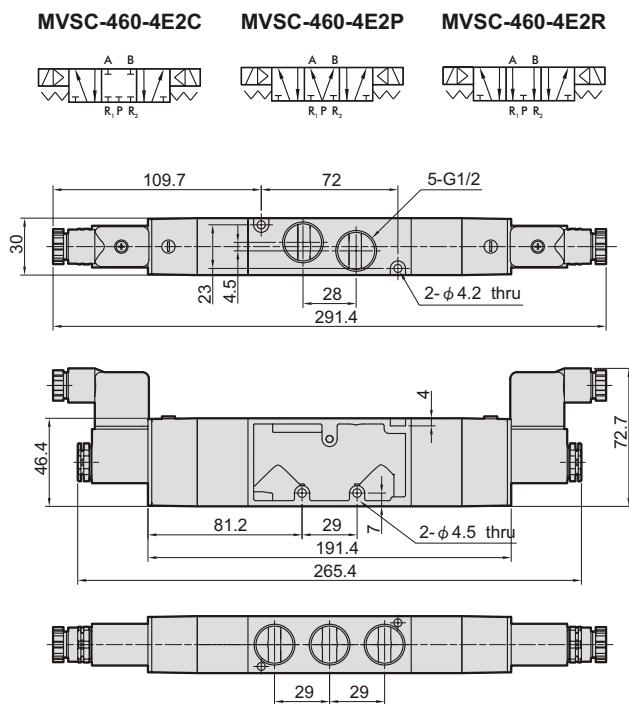
#### MVSC-460-4E1



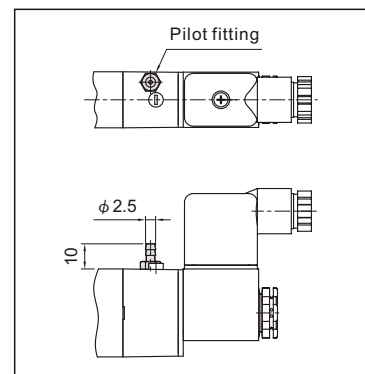
#### MVSC-460-4E2



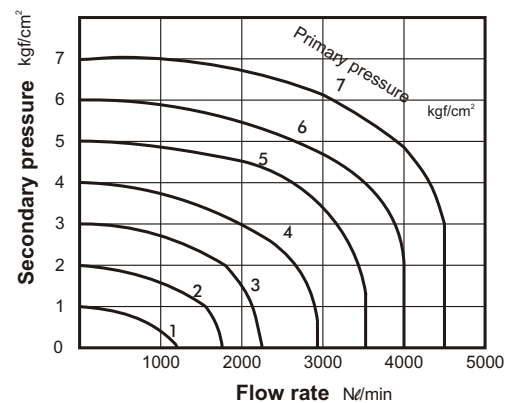
#### MVSC-460-4E2C.PR



#### LP



### Flow features:



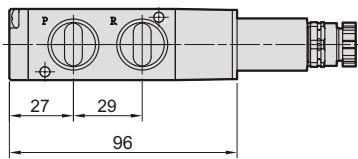
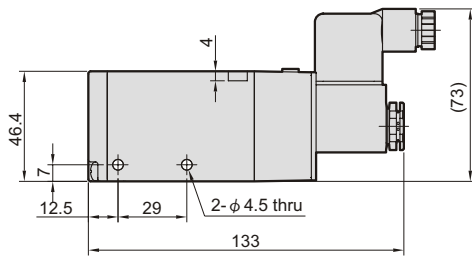
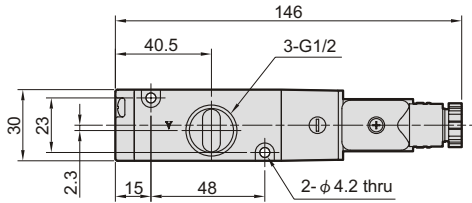
# MVSC-460

## SOLENOID VALVE

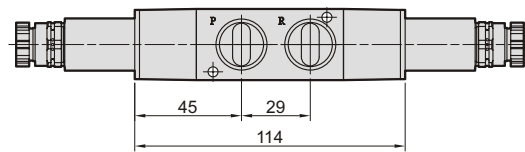
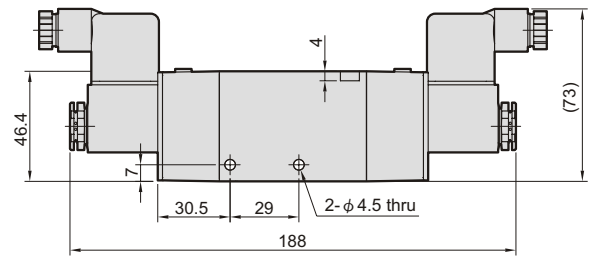
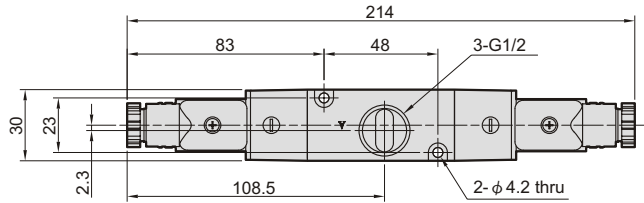


### Dimensions:

#### MVSC-460-3E1-NC/NO

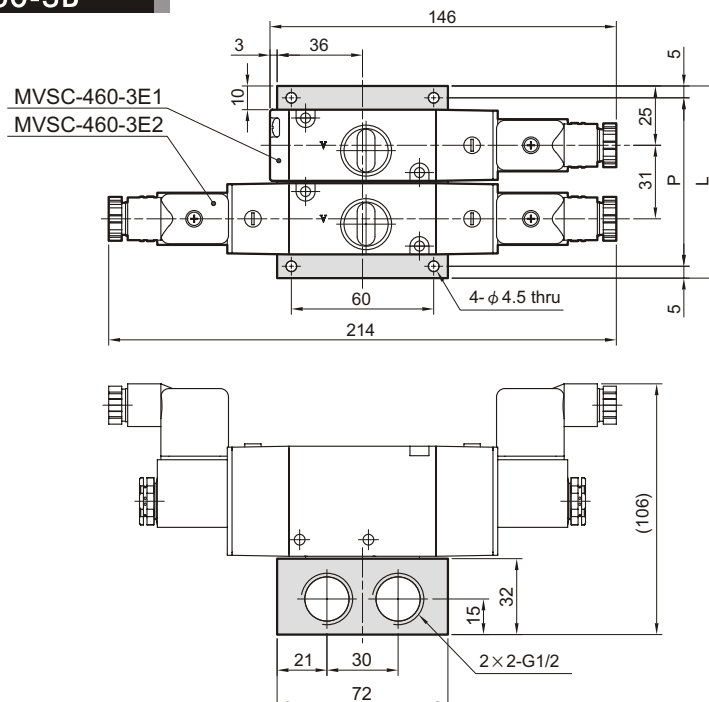


#### MVSC-460-3E2



### Manifold of solenoid valve:

#### MVSC-460-3B\*



No. of stations	P	L
2	71	81
3	102	112
4	133	143
5	164	174
6	195	205
7	226	236
8	257	267
9	288	298
10	319	329

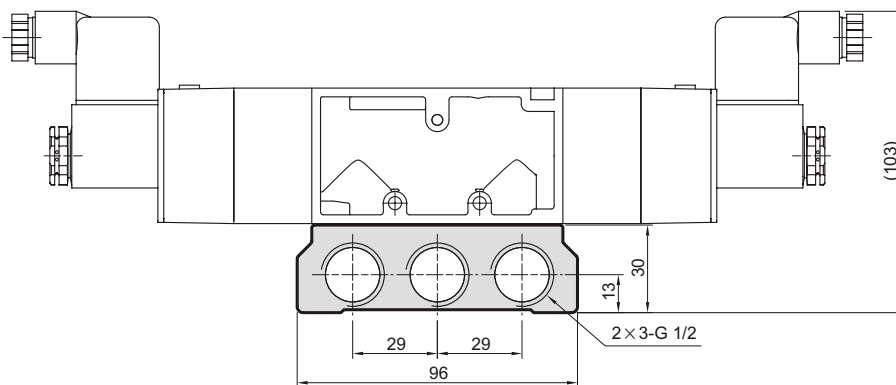
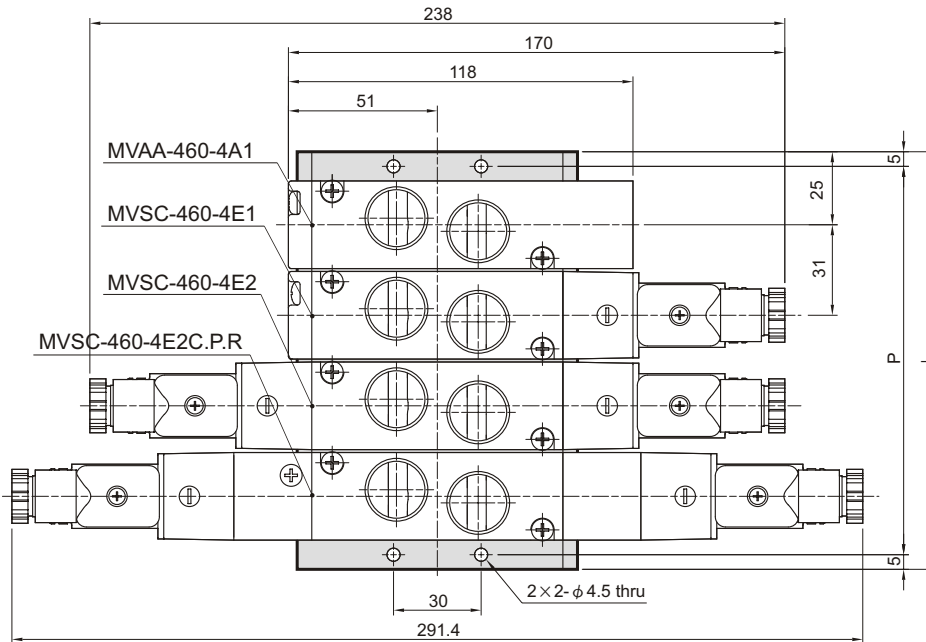
# MVSC-460

SOLENOID VALVE



Manifold of solenoid valve:

**MVSC-460-5B\***



No. of stations	P	L
2	71	81
3	102	112
4	133	143
5	164	174
6	195	205
7	226	236
8	257	267
9	288	298
10	319	329