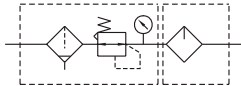


MACT400 series

AIR UNITS (F.R.L.UNIT)



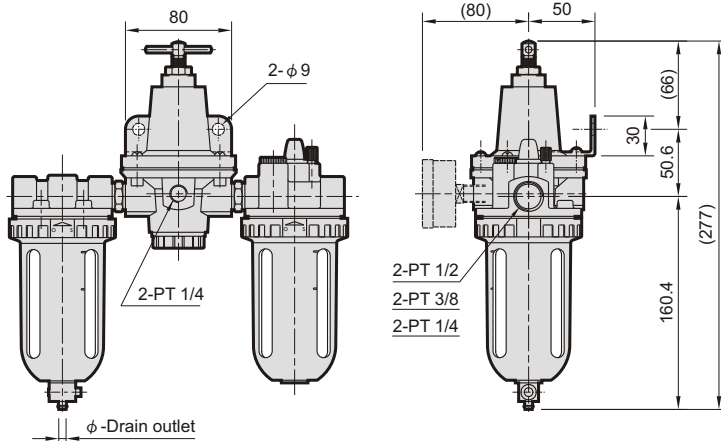
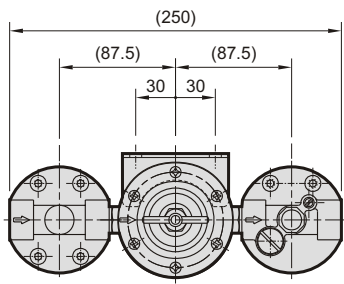
Symbol:



Order example:

MACT400 - 8A - □ - □ - BSP

- MODEL
- BORE SIZE
8A: PT 1/4
10A: PT 3/8
15A: PT 1/2
- D: auto drain valve (FMRF 300)
- FILTER ELEMENT
Blank: 40 μm
5u: 5 μm
- PORT THREAD
Blank: PT thread
BSP: BSP thread
NPT: NPT thread



Specification:

Model	MACT400		
Components	MAF400, MAR400, MAL400		
Bore No.	8A	10A	15A
Port size	PT 1/4	PT 3/8	PT 1/2
Medium	Air		
Operating pressure range	0~9.9 kgf/cm ² (0~0.99 MPa)		
Proof pressure	15 kgf/cm ² (1.5 MPa)		
Effective orifice	24mm ²	35mm ²	40mm ²
Regulated pressure range	0.5~8.5 kgf/cm ² (0.05~0.85 MPa)		
Ambient temperature	-5~+60°C (No freezing)		
Filter element	Standard: 40 μm Option: 5 μm		
Lubricating oil capacity	200c.c		
Min. Flow for oil drip	50 ℓ/min	200 ℓ/min	400 ℓ/min
Recommended lubricating oil	Turbine oil ISO-VG32		
Attachment	Pressure gauge (PG-50), bracket		
Weight	2000 g		

Flow feature:

