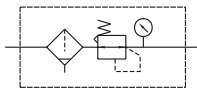


# MAFR300 series

AIR UNITS (F.R.UNIT)



Symbol:



## Specification:

| Model                    | MAFR300                                     |                    |
|--------------------------|---|--------------------|
| Bore No.                 | 8A  | 10A                |
| Port size                | PT 1/4                                      | PT 3/8             |
| Medium                   | Air   |                    |
| Operating pressure range | 0~9.9 kgf/cm <sup>2</sup> (0~0.99 MPa)      |                    |
| Proof pressure           | 15 kgf/cm <sup>2</sup> (1.5 MPa)            |                    |
| Effective orifice        | 32 mm <sup>2</sup>                          | 34 mm <sup>2</sup> |
| Regulated pressure range | 0.5~8.5 kgf/cm <sup>2</sup> (0.05~0.85 MPa) |                    |
| Ambient temperature      | -5~+60°C (No freezing)                      |                    |
| Filter element           | Standard: 5 μm Option: 40 μm                |                    |
| Attachment               | Pressure gauge (PG-40), bracket             |                    |
| Weight                   | 445 g                                       |                    |

※ Standard unit contains semi-auto-drain function when operating pressure below 0.5kgf/cm<sup>2</sup>.

## Order example:

MAFR300 - 8A - □ - □ - BSP

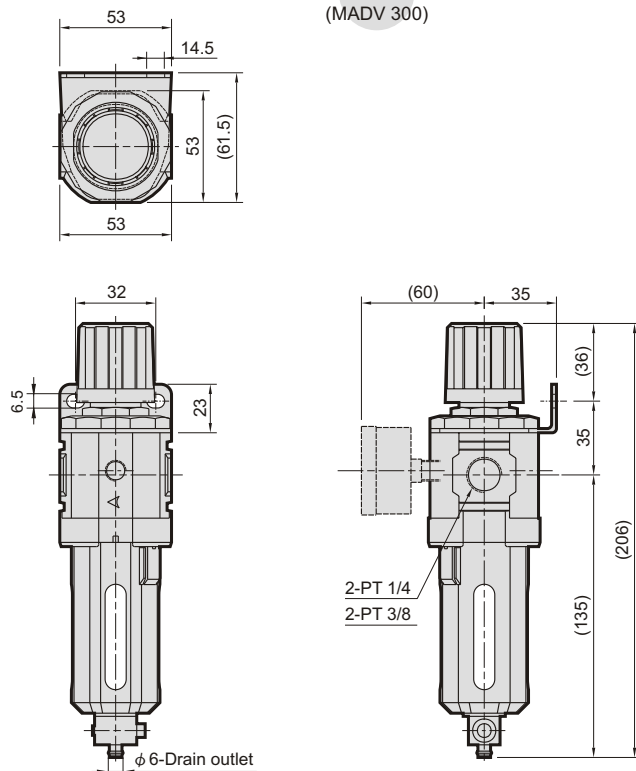
MODEL

BORE SIZE  
8A: PT 1/4  
10A: PT 3/8

FILTER ELEMENT  
Blank: 5 μm  
40u: 40 μm

PORT THREAD  
Blank: PT thread  
BSP: BSP thread  
NPT: NPT thread

D: auto drain valve  
(MADV 300)



## Flow feature:

