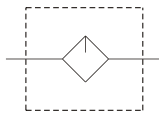


MAL410 series Stainless steel #316 type

AIR UNITS (L.UNIT)



Symbol



Specification

| Model | MAL410 | | |
|-----------------------------|------------------------|-----|-----|
| Bore No. | 10A | 15A | 20A |
| Port size | 3/8 | 1/2 | 3/4 |
| Medium | Air | | |
| Max. operating pressure | 1 MPa | | |
| Proof pressure | 1.5 MPa | | |
| Ambient temperature | -5~+60°C (No freezing) | | |
| Lubricating oil capacity | 130c.c | | |
| Min. flow for oil drip | 50 ℓ /min | | |
| Recommended lubricating oil | Turbine oil ISO-VG32 | | |
| Weight | 1680 g | | |

Order example

MAL410 - 15A - □

MODEL

BORE SIZE

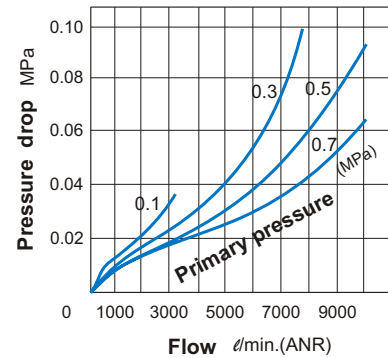
10A: 3/8
15A: 1/2
20A: 3/4

PORT THREAD

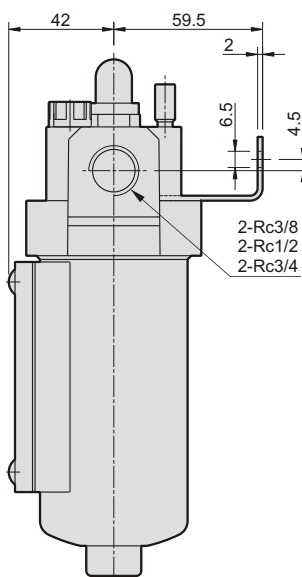
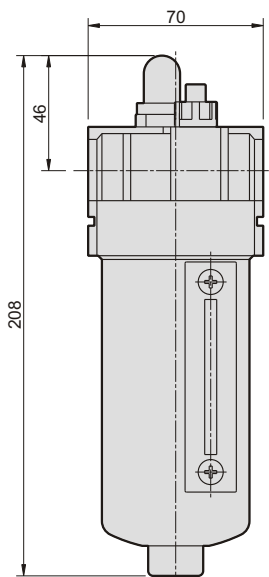
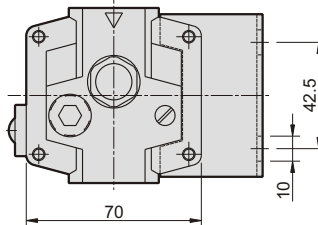
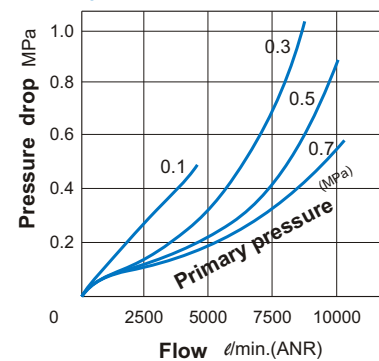
Blank: Rc thread
G: G thread
NPT: NPT thread

Flow feature

15A



20A



Mindman