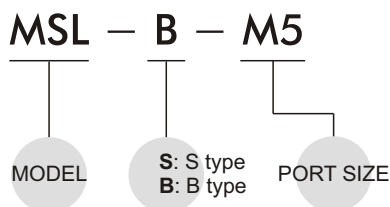


MSL / MSLC2 / MJBV series

BRASS SILENCER / SILENCER THROTTLE VALVE / CHECK VALVE



Order example:




MSL-B

Model	A	CH	D1	D2	F	H	L	N
MSL-B-M5	M5	8	5	4	5	19	12	3
MSL-B-01	PT 1/8	12	8	7	6	24	14	4
MSL-B-02	PT 1/4	16	12	10	8	30	18	4
MSL-B-03	PT 3/8	18	14	11	9	35	21	5
MSL-B-04	PT 1/2	24	19	15	10	44	28	6
MSL-B-06	PT 3/4	30	25	20	10	50	32	8
MSL-B-08	PT 1	36	30	25	12	62	43	8


MSL-S

Model	A	CH	F	L	N
MSL-S-M5	M5	8	5	9.5	3
MSL-S-01	PT 1/8	12	6	12	4
MSL-S-02	PT 1/4	17	8	15	4
MSL-S-03	PT 3/8	19	9	17	5
MSL-S-04	PT 1/2	24	10	18.5	6
MSL-S-06	PT 3/4	30	10	21	8
MSL-S-08	PT 1	36	12	23	8



MSL-C2-*
Silencer throttle valve

Model	A	CH	F	H		L	N
				Min.	Max.		
MSL-C2-01	PT 1/8	12	6	28	30	9	7
MSL-C2-02	PT 1/4	14	9	31	35	10	7
MSL-C2-03	PT 3/8	19	10	35.5	39	10	10
MSL-C2-04	PT 1/2	22	10	36.5	40	10	10



MJBV-*
Check valve

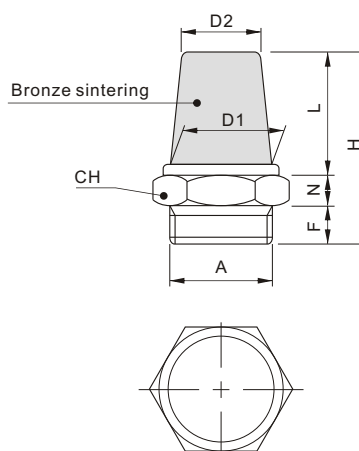
Model	A	B	C
MJBV-01	PS 1/8	42	14
MJBV-02	PS 1/4	50	16
MJBV-03	PS 3/8	52	21
MJBV-04	PS 1/2	63	25

MSL-C2 / MJBV

Operating pressure range:
1~7 kgf/cm² (0.1~0.7 MPa)

Proof pressure:
15 kgf/cm² (1.5 MPa)

MSL-B



MSL-S

